

PRODUCT DATA SHEET

BRITTON[®]



PRODUCT CODE

C60DDM

RANGE

CAMBERWELL

DESCRIPTION

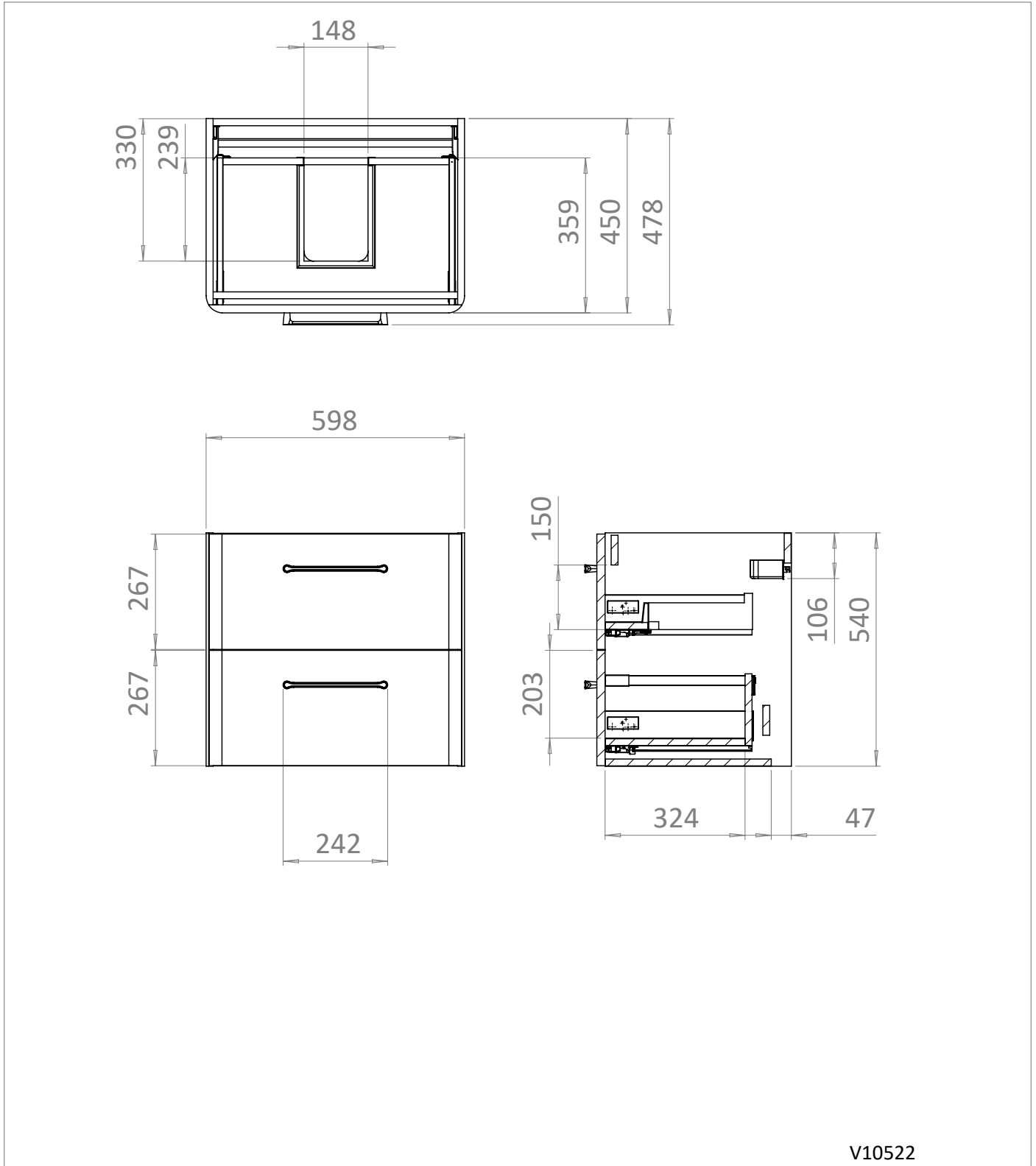
600mm Unit Warm Beige

COLOUR	Warm Beige
COLOUR CODE/ REFERENCE	RAL 060 70 10
MATERIAL	MDF/MFC
INSTALLATION TYPE	Wall-Mounted
DRAWER BOX	Metal Drawer Box With Gallery Rail
DRAWER RUNNERS	INDAUX - Soft close, Pull to open
DRAWER EXTENSION	Full Extension
DRAWER ADJUSTMENT	2 Way
DRAWER CAPACITY	40kg
WALL HANGERS	INDAUX - Factory Fitted 70kg Load Capacity On A Solid Wall 2 Way Adjustment
WARRANTY	10 Years

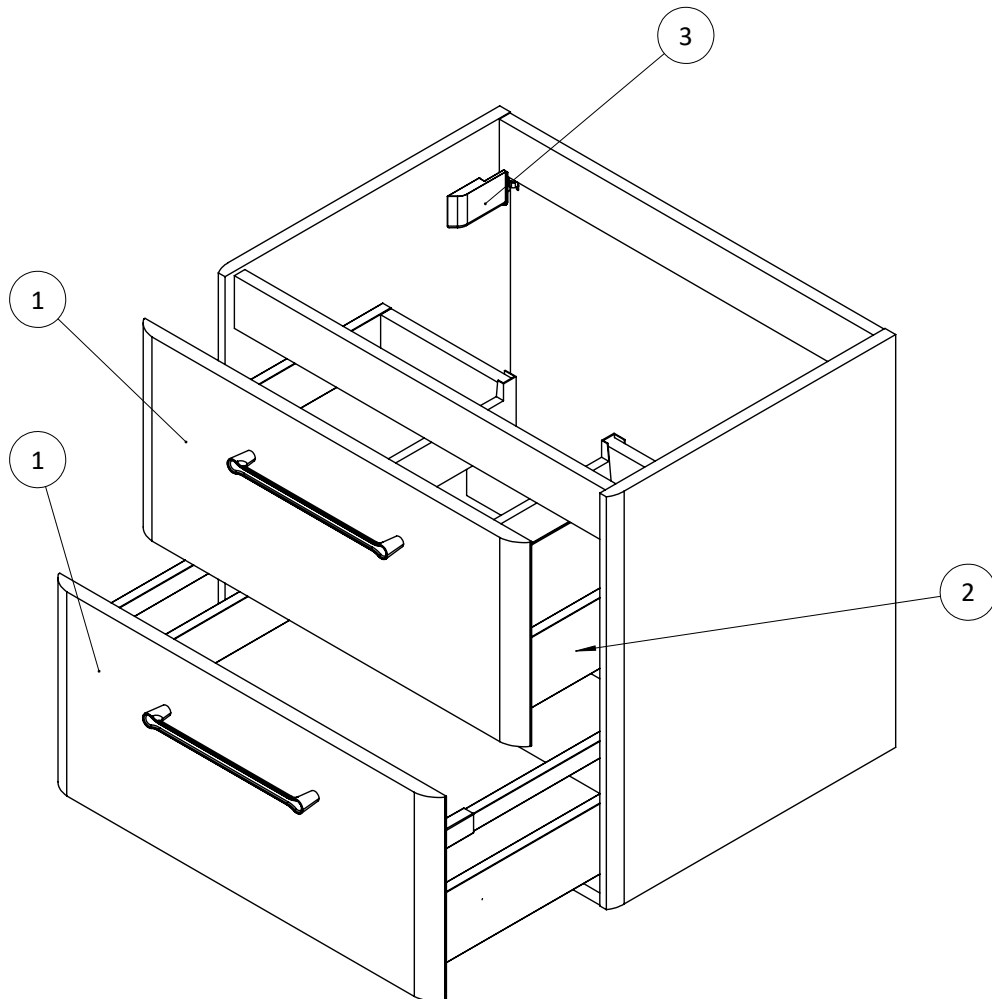
TECHNICAL DIMENSIONS

Dimensions in mm unless otherwise specified.

Tolerances (per material type) apply.



SPARES DIAGRAM



NUMBER	PART CODE	DESCRIPTION
1	SPCAM001	Camberwell 600 Drawer Front - Frosted White
	SPCAM002	Camberwell 600 Drawer Front - Dusty Blue
	SPCAM003	Camberwell 600 Drawer Front - Matt Earthy Green
	SPCAM004	Camberwell 600 Drawer Front - Matt Warm Beige
2	SPCAM013	Camberwell Drawer Runners x2
3	SPCAM014	Camberwell Wall Brackets x2

Only the parts labelled are available as spares.

V10522